

## Forklift Hook

### Multi-Hitch



#### Technical specifications

	1200	1400	1600
Optimized for finger length on forklifts			
<b>Dimensions in park position</b>			
Total length	1555 mm	1785 mm	1985 mm
Total width	1215 mm	1215 mm	1215 mm
Total height	510 mm		
Fork locking	Fork lock is adjusted to different thicknesses of forks (between 35 mm and 85 mm).		
<b>Load bearing points / linkages</b>			
Attachment	Variable between Cat. 2 or 3		
Ball coupling	Ø 80 mm		
Tension bolt	For drawbars with eyelet Bolt: Ø 30 mm and Ø 38 mm		
Hook	Load handler between forklift tines centred; max. 2500 kg		

**The country needs clever technology**

**Lomma Sachsen GmbH**

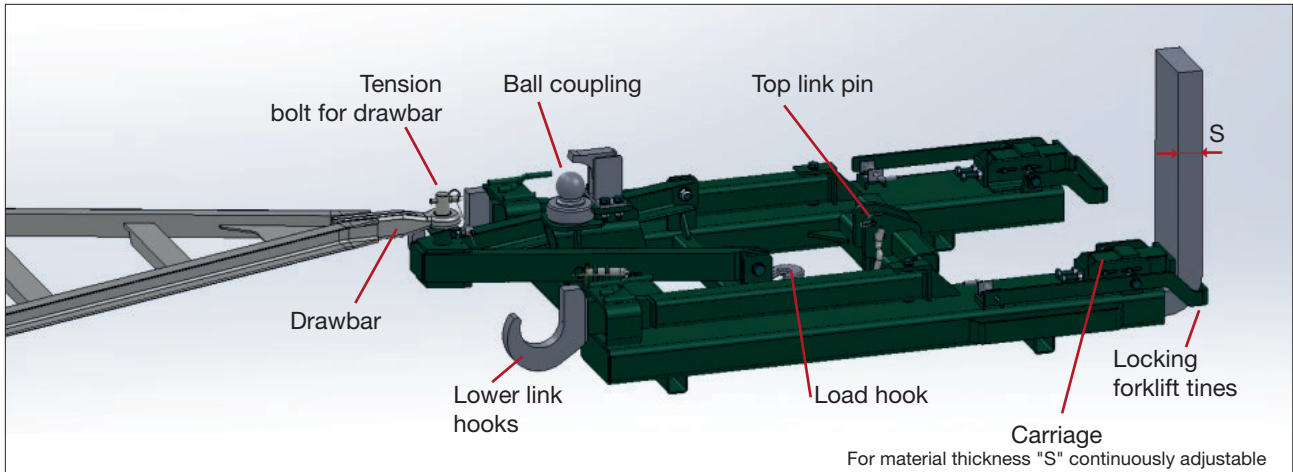
Mertitzer Straße 6

D-01623 Lommatzsch

Telefon: +49-35241 57-0

mail@lomma-sachsen.de

www.lomma-sachsen.de



# Forklift Hook Multi-Hitch

**Forklift access – for faster and safer transport  
of machines, loads, attachment equipment**

