

Grass Roller

Green-Roller



Technical specifications

	2700 Single
Attachment	Lower-link attachment, Cat. 2, 3 or 4
Working width	2.700 mm
Working speed	4 to 6 km/h
Total length	4.650 mm
Total width	3.000 mm
Weight	3.000 kg
Registered total weight *1	6.500 kg
Hydraulic devices (double-acting)	1
Electrics	12V system with 7-pin plug, lighting (German regulation)
Air brake system	Dual-line air brake with an integrated parking brake function
Chassis	Tyres: front 440/55 R18
Roller body	Tube diameter 1.220 mm
	Roller width 2.700 mm
	Roller with brakes

Country requires clever technology

Lomma Sachsen GmbH
 Mertitzer Straße 6
 D-01623 Lommatzsch
 Telefon: +49-35241 57-0
 mail@lomma-sachsen.de
 www.lomma-sachsen.de

Technical specifications – Grass Roller Plus, unsteered model

	5300 Plus
Attachment	Lower-link attachment, Cat. 2, 3 or 4
Working width	5.300 mm
Working speed	4 to 6 km/h
Total length	8.500 mm
Total width	3.000 mm
Weight	ca. 5.800 kg
Registered total weight *1	9.700 kg
Hydraulic devices (double-acting)	2
Electrics	12V system with 7-pin plug, lighting (German regulation)
Air brake system	Dual-line air brake with an integrated parking brake function
Chassis	Tyres: 440/55 R18
Roller body	Tube diameter 1.220 mm
	Roller width 3x 1.800 mm
	Front roller with brakes

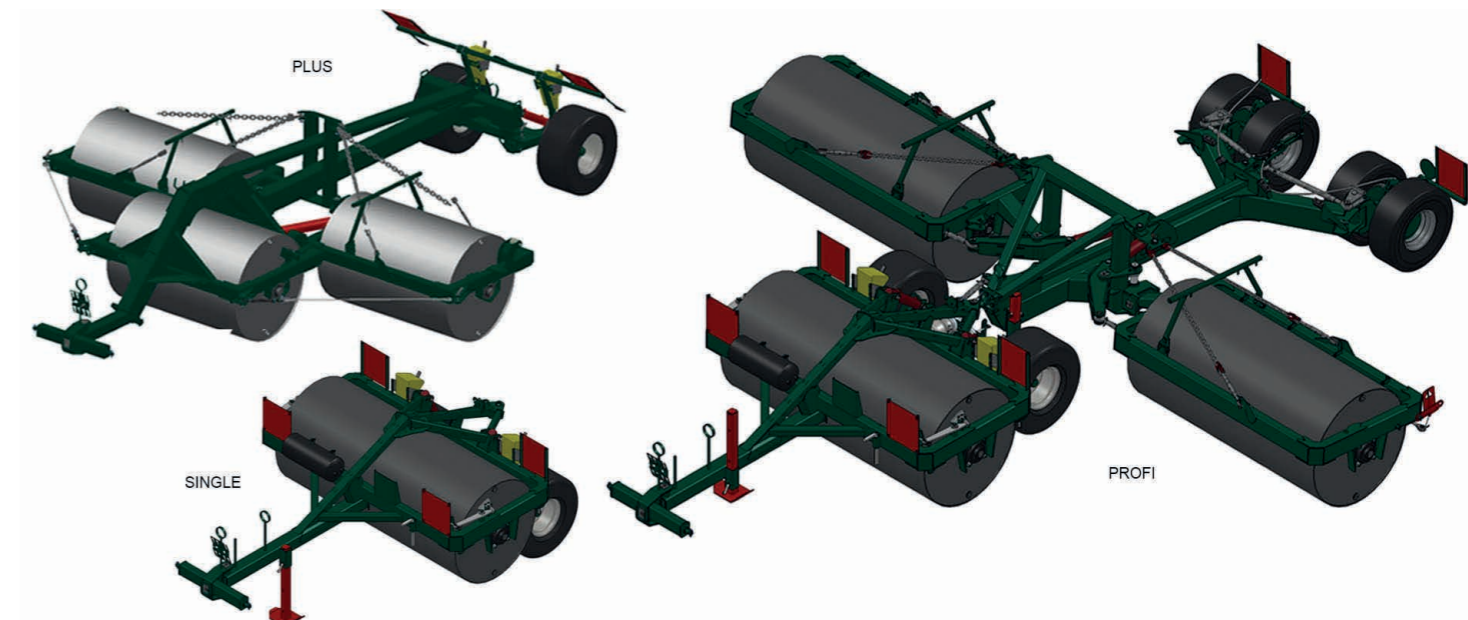
Technical specifications – Grass Profi*2, steered model

	6200 Profi	7600 Profi	8400 Profi
Attachment	Lower-link attachment, Cat. 2, 3 or 4		
Working width	6.200 mm	7.600 mm	8.400 mm
Working speed	4 to 6 km/h		
Total length	9.700 mm		
Total width	3.000 mm		
Weight	7.300 kg	8.000 kg	8.300 kg
Registered total weight *1	14.500 kg	17.000 kg	17.000 kg *3
Hydraulic devices (double-acting)	2		
Electrics	12V system with 7-pin plug, lighting (German regulation)		
Air brake system	Dual-line air brake with an integrated parking brake function		
Chassis	Tyres: front 440/55 R18, rear 305/70 R16,5		
Roller body	Tube diameter 1.220 mm		
	Front roller with brakes		
	Length front	2.700 mm	
Length rear	1.800 mm	2.500 mm	2.900 mm

*1 Inclusive Additional equipment
 *2 Identical to Single
 *3 Limited filling

Additional equipment

	Single	Plus	Profi
Scraper	•	•	•
Brake	–	•	•
	for rear rollers		
Tires *2 front: 2x BKT AW 711 440/55 R18 TL rear: 4x BKT AW 711 305/70 R16,5 TL	•	•	•
Harrow tines	•	•	•
	1 row, adjustable in height and angle, hydraulic titable		
Seed drill	•	•	•
	pneumatic APV seeder		



lomma.

Country requires clever technology



Lomma Sachsen GmbH
Mertitzer Straße 6
D-01623 Lommatzsch

Telefon: +49-35241 57-0
Telefax: +49-35241 57-209
mail@lomma-sachsen.de
www.lomma-sachsen.de


LOMMATZSCHER PFLEGE
Wo Werte wachsen.

