

Two-axle Three-way Tipper ZDK 1802



Technical specifications

	ZDK 1802	ZDK 1802 UNI	ZDK 1802 KOMBI	HW 80
Registered total weight	18 000 kg ¹⁾²⁾	18 000 kg	18 000 kg	12 000 kg
Weight (Basic equipment)	4 350 ¹⁾ / 4 450 kg ²⁾	4 500 kg	4 950 kg	1 800 kg ³⁾
Payload	13 650 ¹⁾ 13 550 ²⁾ kg	13 500 kg	13 050 kg	8 200 kg ³⁾
Chassis	Two-axle, heavy-duty, BPW or ADR Axles, Tyres 385/65 R22,5			—
Tailboard	¹⁾ 800/600 ²⁾ 800/800 profiled steel tailboard gates swinging and folding, central locking	800/800 entire left tailboard hydraulically pivoted right side + rear tailboard down swinging and top welded	800/800/500 entire left tailboard hydraulically pivoted right side swinging	940 ³⁾ 1 200 1 600 left and right side swinging
Registered Speed	40 to 60 km/h			—
Hydraulic devices (double-acting)	1, hydraulic tilting system, four-stage chrome plated cylinder			—
Electrics	12 V system with 7-pin plug, lighting (German regulation)			—
Air brake system	Dual-line pressure air brake system from 40 km/h with load sensing valve			—

Country requires clever technology

Lomma Sachsen GmbH
 Mertitzer Straße 6
 D-01623 Lommatzsch
 Telefon: +49-35241 57-0
 mail@lomma-sachsen.de
 www.lomma-sachsen.de

Bridge Dimension

	ZDK 1802	ZDK 1802 UNI	ZDK 1802 KOMBI	HW 80
Length	ca. 5 000 mm			5 250 mm
Width	2 420 mm			2 380 mm
Height	1 400/1 600 mm depending on tailboard	1 600 mm	2 100 mm	940/1 200/1 600 mm depending on type
Volume	ca. 16,9/19,2 m ³	ca.19,2 m ³	ca. 25,4 m ³	ca. 11,7/15/20 m ³

Additional equipment

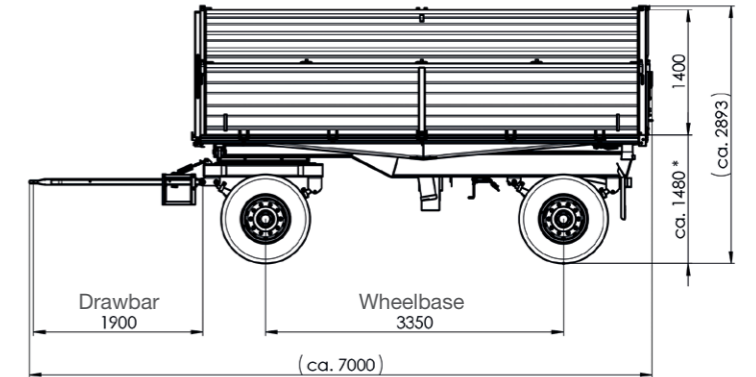
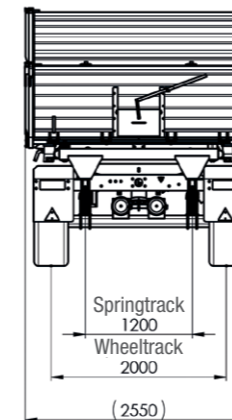
	ZDK 1802	ZDK 1802 UNI	ZDK 1802 KOMBI	HW 80
Additional platform / podium	•	•	•	•
Attachment screw conveyor for rear and side discharge	•	•	—	—
Discharge funnel for grain slide	•	•	—	—
Automatic trailer coupling	•	•	•	—
Tires small 385/65 R22,5 — 425/65 R22,5 large 445/65 R22,5 — 560/60 R22,5 and others on demand	•	•	•	—
Plexiglas window at front wall 310x160 mm	—	—	•	—
Spare wheel carrier	•	•	•	—
Lifting spring for hinged tailboard	•	•	—	—
Hydraulic tailboard locking (rear-tailboard locking on demand)	•	•	•	—
Hydraulic connection for screw conveyor (1 or 2 additional lines)	•	•	—	—
Roller tarpaulin	•	•	—	•
Roller tarpaulin frame with	•	•	—	•
Lateral chute, 450 mm, aluminium	•	•	•	•
Special colors for chassis and body	•	•	•	•
Overblowing support	—	•	—	—
Unloading wedge	•	•	•	•
Shortened drawbar	•	•	•	—
Y-drawbar	•	•	•	—
Front and rear light grid	—	—	•	—

Connections for 2nd trailer

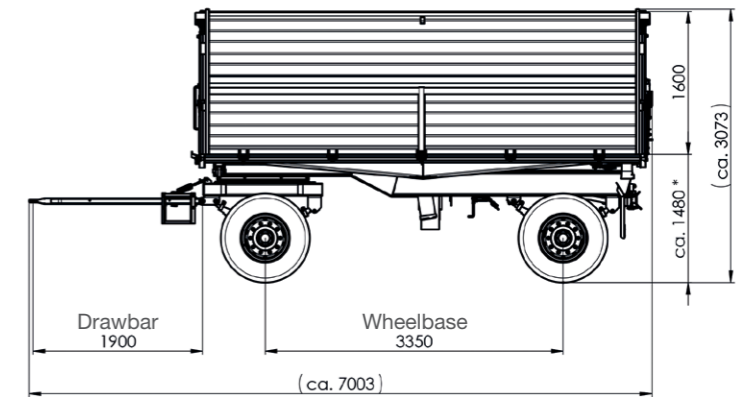
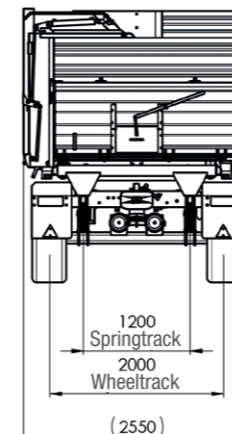
	ZDK 1802	ZDK 1802 UNI	ZDK 1802 KOMBI	HW 80
Hydraulic device	•	•	•	—
Dual-line air compressed	•	•	•	—
Hydraulic linkage for tipping	•	•	•	—

Trailer dimensions

ZDK 1802



ZDK 1802 UNI



* with Tires 385/65 R22,5 (own-label)

lomma.

Country requires clever technology



Lomma Sachsen GmbH
Mertitzer Straße 6
D-01623 Lommatzsch
Germany

Tel. No: +49-35241 57-0
Fax: +49-35241 57-209
mail@lomma-sachsen.de
www.lomma-sachsen.de


LOMMATZSCHER PFLEGE
Wo Werte wachsen.

