

## Crop Trailer

### ZDK 1802 K



#### Technical specifications

	ZDK 1802 K	ZDK 1802 K UNI	ZDK 1802 K KOMBI
Registered total weight	18 000 kg <sup>1)2)</sup>	18 000 kg	18 000 kg
Weight (Basic equipment)	4 350 <sup>1)</sup> / 4 450 kg <sup>2)</sup>	4 500 kg	4 950 kg
Payload	13 650 <sup>1)</sup> 13 550 <sup>2)</sup> kg	13 500 kg	13 050 kg
Chassis	Two-axle, heavy-duty, BPW or ADR Axles, Tyres 385/65 R22,5		
Tailboard	Resin-coated plywood, strength 15 mm		
	<sup>1)</sup> 800/600 <sup>2)</sup> 800/800  swinging and folding central locking	800/800  entire left tailboard hydraulically pivoted  right side + rear tailboard down swinging and top welded	800/800/500  entire left tailboard hydraulically pivoted  right side swinging
Registered Speed	40 to 60 km/h		
Hydraulic devices (double-acting)	1, hydraulic tilting system, four-stage chrome plated cylinder		
Electrics	12 V system with 7-pin plug, lighting (German regulation)		
Air brake system	Dual-line pressure air brake system from 40 km/h with load sensing valve		

Country requires clever technology

Lomma Sachsen GmbH  
 Mertitzer Straße 6  
 D-01623 Lommatzsch  
 Telefon: +49-35241 57-0  
 mail@lomma-sachsen.de  
 www.lomma-sachsen.de

### Bridge Dimension

	ZDK 1802 K	ZDK 1802 K UNI	ZDK 1802 K KOMBI
Length	ca. 5 000 mm		
Width	2 420 mm		
Height	1 400/1 600 mm depending on tailboard	1 600 mm	2 100 mm
Volume	ca. 16,9/19,2 m <sup>3</sup>	ca. 19,2 m <sup>3</sup>	ca. 25,4 m <sup>3</sup>

### Connections for 2nd trailer

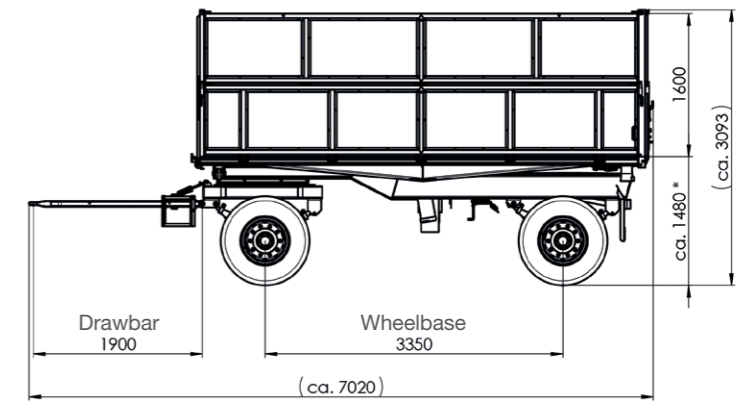
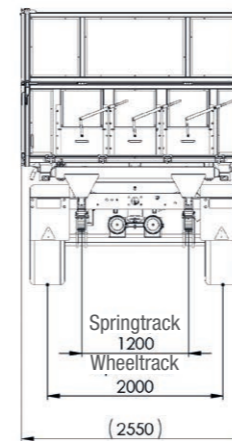
	ZDK 1802 K	ZDK 1802 K UNI	ZDK 1802 K KOMBI
Hydraulic device	•	•	•
Dual-line air compressed	•	•	•
Hydraulic linkage for tipping	•	•	•

### Additional equipment

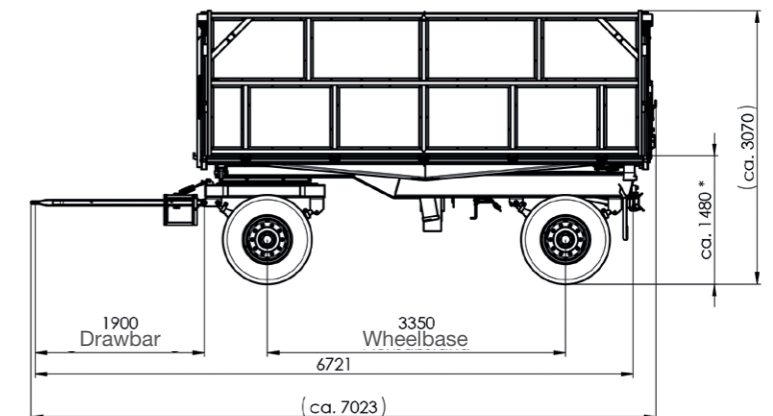
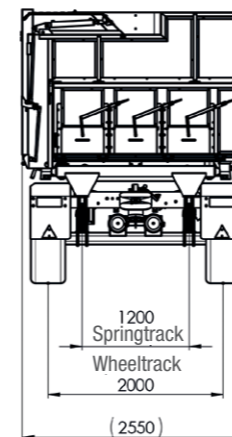
	ZDK 1802 K	ZDK 1802 K UNI	ZDK 1802 K KOMBI
Additional platform / podium	•	•	•
Discharge funnel for grain slide	•	•	—
Automatic trailer coupling	•	•	•
Tires small 385/65 R22,5 — 425/65 R22,5 large 445/65 R22,5 — 560/60 R22,5 and others on demand	•	•	•
Plexiglas window at front wall 310x160 mm	—	—	•
Spare wheel carrier	•	•	•
Lifting spring for hinged tailboard	•	•	—
Hydraulic tailboard locking (rear-tailboard locking on demand)	•	•	•
Hydraulic connection for screw conveyor (1 or 2 additional lines)	•	•	—
Roller tarpaulin	•	•	—
Roller tarpaulin frame with	•	•	—
Lateral chute, 450 mm, aluminium	•	•	•
Special colors for chassis and body	•	•	•
Overblowing support	—	•	—
Unloading wedge	•	•	•
Shortened drawbar	•	•	•
Y-drawbar	•	•	•
Front and rear light grid	—	—	•

### Trailer dimensions

#### ZDK 1802 K 800/800



#### ZDK 1802 K UNI



\* with Tires 385/65 R22,5 (own-label)

# *lomma.*

## Country requires clever technology



**Lomma Sachsen GmbH**  
Mertitzer Straße 6  
D-01623 Lommatzsch  
Germany

Tel. No: +49-35241 57-0  
Fax: +49-35241 57-209  
mail@lomma-sachsen.de  
www.lomma-sachsen.de

  
**LOMMATZSCHER PFLEGE**  
Wo Werte wachsen.

